

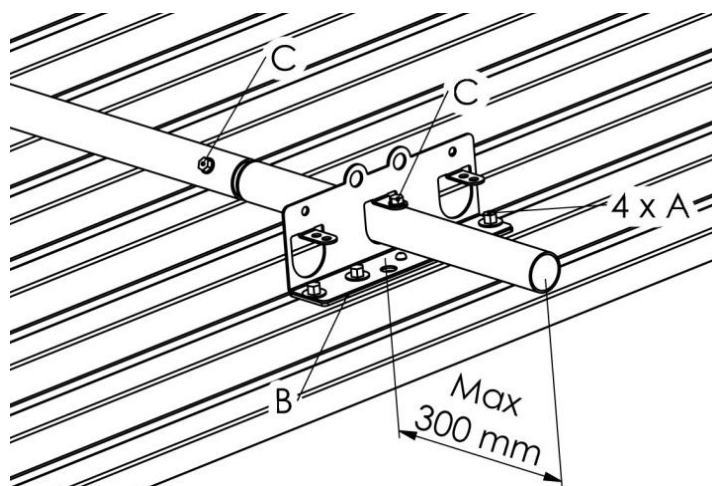
SNOWSTOPPER TUBE

Snow stopper for installation on profiled metal roofs.

Install the bracket on top of the profile, C-C distance max 1200 mm, with EPDM seal and self-tapping screws. Screw into place using a low torque so that the threads are not damaged.

Extensions of the rail tube must be made with inserts and self-tapping screws (C); use screw kit 420012P.

The tube is locked into the outermost consoles in each continuous length with self-tapping screws (C x 1).



Please note that the snow stopper does not replace the snow fence at the roof foot.

Snow stopper tube for installation on smooth roofs.

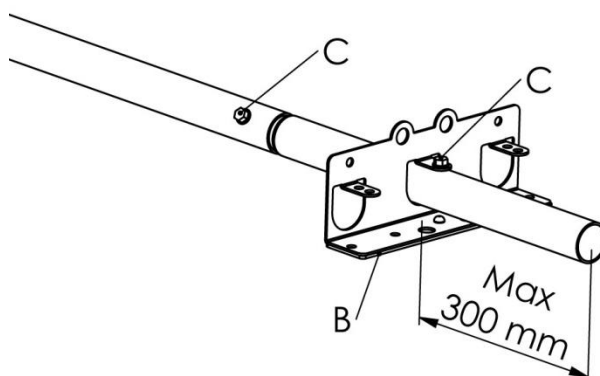
Installed with EPDM seal, M10 nut and washer.

Installation on asphalt-based sealing membrane as specified in installation instruction **M-082**.

Installation on PVC, ECB and FPO-based roofing felt as specified in **M-076**.

Extension of the rail tube shall be done with inserts and self-tapping screws (C); use screw kit 420012P.

The tube is locked into the outermost consoles in each continuous length with self-tapping screws (C x 1).



Please note that the snow stopper does not replace the snow fence at the roof foot.

A= Stainless self-tapping screw with washer, B= EPDM seal, C= Self-drilling stainless screw 20 x 5.5 mm